

FlexMatrix

Reconfigurable RF Switch Matrix



- Standard 5x5 and 10x10 switching configurations
- Frequencies up to 40 GHz
- Reliable high performance
- Fast delivery, no NRE

Key Benefits:

- Confidence in system performance
- Adjust, modify or expand your investment as needed
- Fully documented and supported

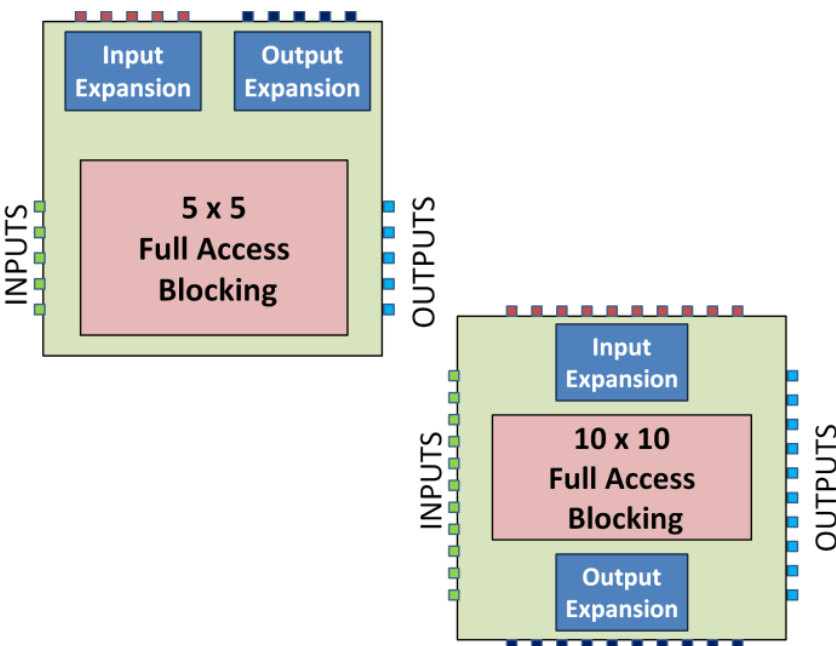
Key Features:

- Switch configurations
 - 5 x 5, 10 x 10
 - Self terminated input/output
- Frequency ranges
 - DC – 6, 26.5, 40 GHz
- Connector type
 - Precision SMA up to 26.5 GHz
 - Precision 2.92 mm over 26.5 GHz
- Switching life cycle
 - 10 M cycles DC-26.5 GHz
 - 2 M cycles DC- 40 GHz
- Front panel LED position indicators
- Optional keypad entry on front panel
- Typical delivery in 8 weeks
- 3 year standard warranty

Easy Remote Control Interface:

- SCPI compatible switch commands
- Switch lifecycle counter
- Switch path queries
- Intuitive switch/path control
- Controller designed specifically for RF/ microwave components
- Available with LAN, GPIB or USB interface

SenarioTek's FlexMatrix reconfigurable switching products offer high performance in standard configurations quickly and without the added expense of NRE. FlexMatrix enables you to adjust, modify or expand your investment as needed. We offer a fully documented and supported solution that includes up to a 3 year warranty. With FlexMatrix you can be confident of reliable switching for all your test needs.

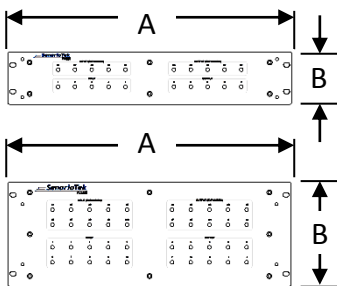


FlexMatrix FX500 and FX1000 Series Typical Performance

Model	Frequency	VSWR	Insertion Loss	Isolation	Model	Frequency	VSWR	Insertion Loss	Isolation
5 x 5 configuration				dB	dB	10 x 10 configuration			
FX506	DC-6 GHz	1.5:1	1.5	80	FX1006	DC-6 GHz	1.6:1	3	80
FX526	DC-6 GHz	1.5:1	1.5	80	FX1026	DC-6 GHz	1.6:1	3	80
	6 - 18 GHz	2.0:1	2.5	70		6 - 18 GHz	2.1:1	4	70
18 - 26.5 GHz	2.5:1	3.5	60	18 - 26.5 GHz		2.6:1	6	60	
FX540	DC - 6 GHz	1.5:1	1.5	80	FX1040	DC - 6 GHz	1.6:1	3	80
	6 - 18 GHz	2.0:1	2.5	70		6 - 18 GHz	2.1:1	4	70
	18 - 26.5 GHz	2.5:1	3.5	60		18 - 26.5 GHz	2.6:1	6	60
	26.5 - 32 GHz	2.5:1	4.5	60		26.5 - 32 GHz	2.7:1	8	60
32 - 40 GHz	2.5:1	6	55	32 - 40 GHz		2.7:1	10	55	

Model	Frequency	Power Handling	Individual Switch Speed	Impedance	Switch Life Cycles	Connector
5 x 5 configuration		W	ms	Ω	1×10^6	
FX506	DC-6 GHz	1	10	50	10	Precision SMA
FX526	DC-26.5GHz				2	Precision 2.92mm
FX540	DC - 40 GHz					
10 x 10 configuration						
FX1006	DC-6 GHz	1	10	50	10	Precision SMA
FX1026	DC- 26.5 GHz				2	Precision 2.92mm
FX1040	DC - 40 GHz					

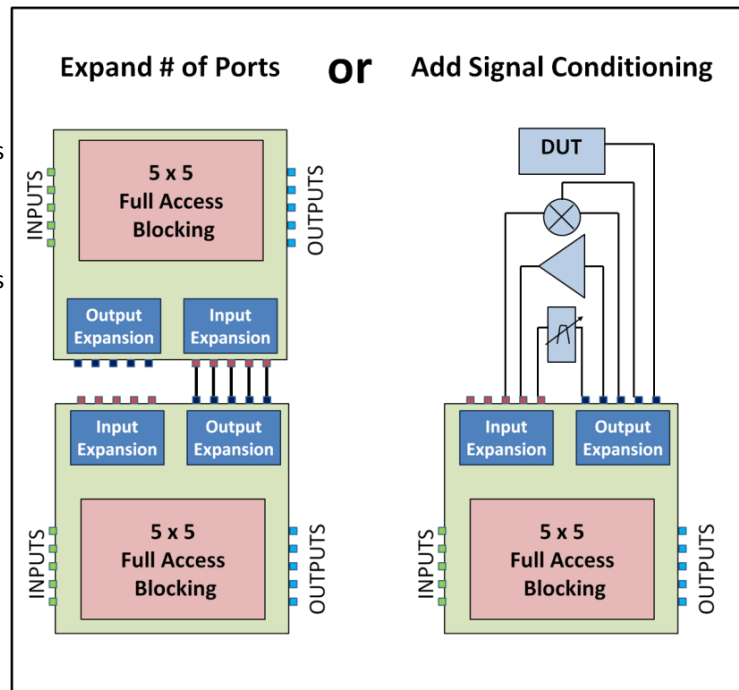
Physical Dimensions



FX500 Series
5 x 5 Switch matrix
2U Rack mountable chassis

FX1000 Series
10 x 10 Switch matrix
4U Rack mountable chassis

Dimension	FX500 Series	FX1000 Series
A	19"	19"
B	3.5"	7"
Depth	20"	20"



Contact Us : SenarioTek
3636 N. Laughlin Rd
Suite 150
Santa Rosa, CA 95403
Phone: (707) 544-2770
Fax: (866) 409-7626
sales@senariotek.com

www.senariotek.com